

SAC-3P-10,0-PUR/M 8FR

Order No.: 1694169



Sensor/actuator cable, 3-pos., PUR halogen-free black, free conductor end on angled M8 socket, cable length: 10 m

Commercial data

EAN	4017918177188
Pack	1 Pcs.
Customs tariff	85444290
Weight/Piece	0.227 KG
Catalog page information	Page 62 (PC-2007)

Product notes

WEEE/RoHS-compliant since:
12/01/2005



Technical data

General data

Nominal current I_N	3 A
Nominal voltage U_N	60 V
Number of positions	3
Volume resistance	$\leq 5 \text{ m}\Omega$
Insulation resistance	$\geq 100 \text{ M}\Omega$

Length of cable	10 m
Ambient temperature (operation)	-25 °C ... 90 °C (plug/socket)
	-40 °C ... 80 °C (cable, fixed installation)
	-5 °C ... 80 °C (cable, flexible installation)

General characteristics

Coding	A - standard
Inflammability class acc. to UL 94	HB
Surge voltage category	II
Pollution degree	3
Degree of protection	IP65/IP68/IP69K
Contact material	CuSn
Contact surface material	Ni/Au
Contact carrier material	TPU GF
Material of grip body	TPU, hardly inflammable, self-extinguishing
Material, knurls	Zinc die-cast, (nickel-plated)
Sealing material	NBR
Status display	No

Conductor data

Cable type	PUR halogen-free black
Cable abbreviation	Li9Y11Y-HF
Conductor cross section	0.25 mm ²
AWG signal line	24
Conductor structure, signal line	32 x 0.10 mm
Core diameter including insulation	1.15 mm ±0.05 mm
Thickness, insulation	≥ 0.38 mm (Core insulation)
External cable diameter	4.40 mm
Wire colors	Brown, blue, black
External sheath, color	Black-gray RAL 7021
Insulation resistance	≥ 100 GΩ*km
Conductor resistance	≤ 77.6 Ω/m
Nominal voltage, conductor	300 V
Test voltage, conductor	4000 V
Overall twist	3 wires, twisted
Outer sheath, material	PUR

Material conductor insulation	PP
Conductor material	Bare Cu litz wires
Cable weight	23 kg/km
Smallest bending radius, movable installation	44 mm
Max. bending cycles	4000000
Bending radius	44 mm
Traversing path	10 m
Traversing rate	3 m/s
Acceleration	10 m/s ²
Special properties	Flexible cable conduit capable
Flame resistance	As per UL-Style 20549
Freedom from halogen	As per DIN VDE 0472 part 815

Certificates / Approvals



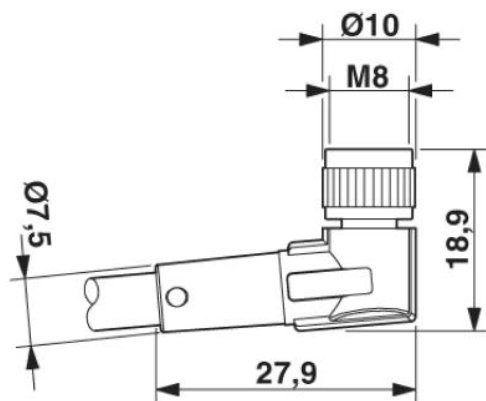
Certification

CUL Listed, GOST, UL Listed

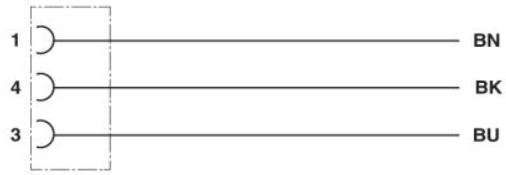
Drawings

Dimensioned drawing

Socket M8 x 1, angled

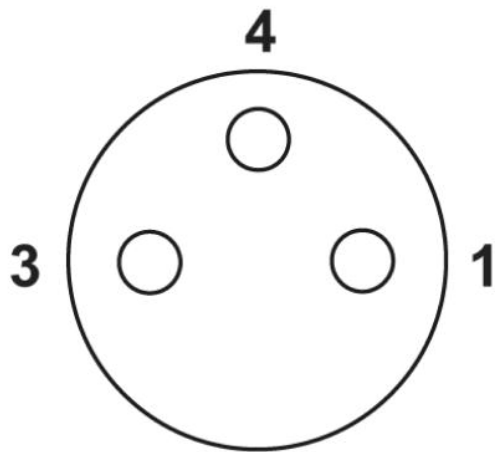


Circuit diagram



Contact assignment of M8 socket

Schematic diagram



Pin assignment M8 socket, 3-pos., view female side